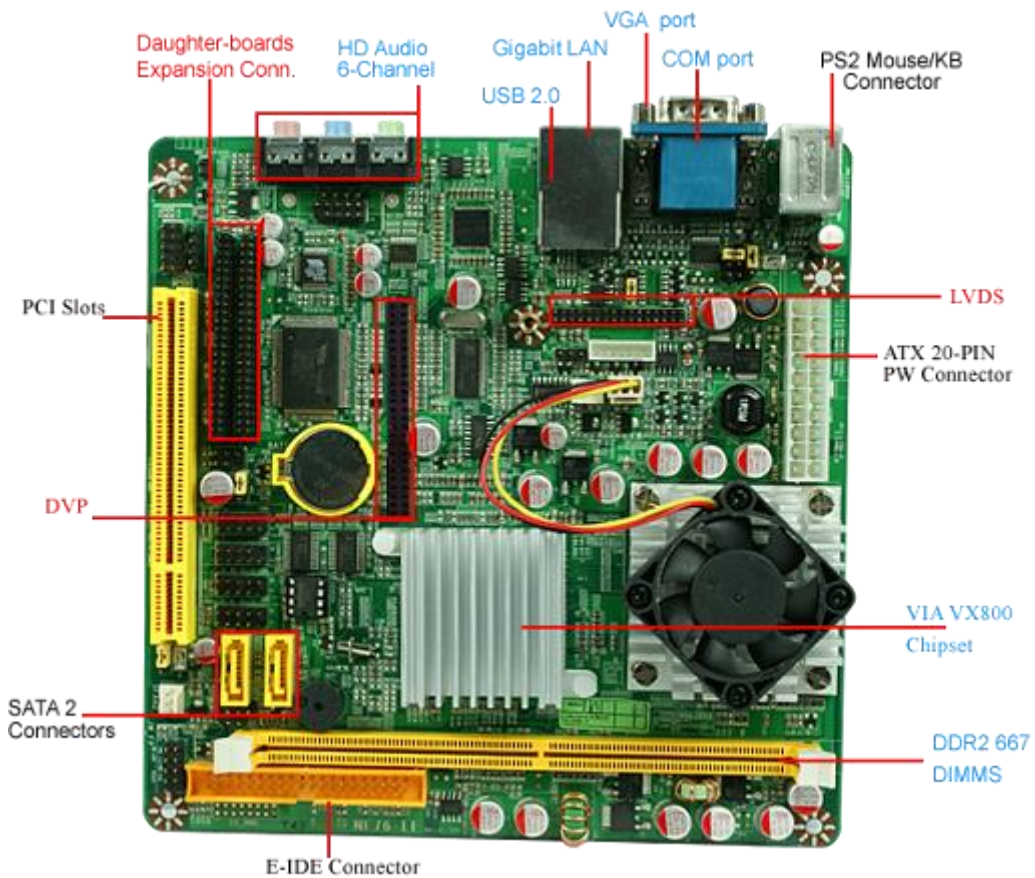




### NF76-1G5-LF

- VIA VX800 Chipset
- Support VIA C7 1.5GHz Processor (90nm, FSB 800MHz, 1.5GHz)
- Integrated Chrome9 HC3 DX9 IGP
- Integrated LVDS support 24-bit TFT LCD
- Support 1 x 32-bit PCI slot
- Support 2 x Serial ATA 2 Devices
- Windows Vista Ready
- Onboard Gigabit LAN
- Support DC FAN
- COM2 Support RS422/485
- VIA VT1708B HD Audio Codec with 6-Channel
- 170 x 170mm Mini-ITX Form Factor
- Support Daughter board Expansion
- Support Watch dog Technology









## Board Specifications

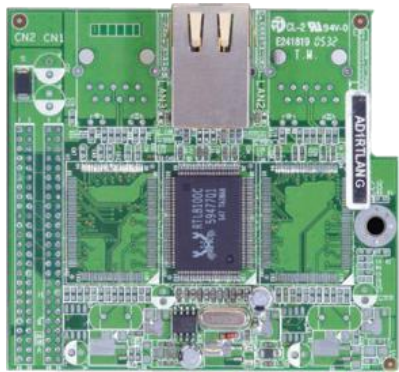



|                           |   |
|---------------------------|---|
| ■ <b>CPU</b>              | <ul style="list-style-type: none"> <li>■ Support VIA C7 1.5GHz (90nm, FSB 800MHz,1.5GHz) processor</li> <li>■ Front Side Bus 800MHz</li> </ul>  |
| ■ <b>Chipset</b>          | <ul style="list-style-type: none"> <li>■ VIA VX800 Chipsets</li> <li>■ VIA Chrome9 HC3 IGP, 128Bit 3D engines (Share System Memory:64/128/256MB)</li> </ul>   |
| ■ <b>Memory</b>           | <ul style="list-style-type: none"> <li>■ 1 * 240-pin DIMM Sockets for un-buffered DDR2 667MHz SDRAM up to 2GB</li> </ul>  |
| ■ <b>Expansion Slots</b>  | <ul style="list-style-type: none"> <li>■ 1 * 32-bit PCI slots</li> </ul>  |
| ■ <b>Power Management</b> | <ul style="list-style-type: none"> <li>■ ACPI S3/S4 Compliant ,supports VIA PowerSaver™ feature</li> </ul>  |
| ■ <b>Storage</b>          | <ul style="list-style-type: none"> <li>■ 2 * Serial ATA2 3Gb/s connectors with RAID 0,1 functions</li> <li>■ 1 * 40-PIN IDE connector</li> </ul>  |
| ■ <b>Audio</b>            | <ul style="list-style-type: none"> <li>■ VIA VT1708B HD Audio Code with 6-Channel</li> </ul>  |
| ■ <b>Ethernet LAN</b>     | <ul style="list-style-type: none"> <li>■ 1 * RTL8111C 10 / 100 / 1000 PCI-E LAN</li> </ul>  |
| ■ <b>USB</b>              | <ul style="list-style-type: none"> <li>■ Embedded 6 * USB 2.0/1.1</li> </ul>  |
| ■ <b>LVDS</b>             | <ul style="list-style-type: none"> <li>■ Onboard 24-bit dual channel LVDS connector</li> </ul>  |
| ■ <b>Rear Panel I / O</b> | <ul style="list-style-type: none"> <li>■ 2 * USB 2.0/1.1 ports</li> <li>■ 1 * PS/2 connector for Keyboard and Mouse</li> <li>■ 1 * RJ-45 ports</li> <li>■ 3 * Audio I/O ports ( Line-in, mic and line-out )</li> <li>■ 1 * VGA port</li> <li>■ 1 * DB-9 RS232 COM port</li> </ul>   |
| ■ <b>Internal I / O</b>   | <ul style="list-style-type: none"> <li>■ 2 * USB 2.0/1.1 headers for 4 USB 2.0 ports</li> <li>■ 1 * CPU Smart Fan Connector, 2 * Sys/Chassis Fan Connectors</li> <li>■ 3 * 9-Pin COM Port headers(COM2 Support RS422/485)</li> <li>■ 1 * IR header &amp; 1 * 100-pin Daughter board Expansion header</li> <li>■ 1 * LVDS header &amp; 1 * HDMI_SPDIF header &amp; 1* 50-pin DVP header</li> </ul> |
| ■ <b>BIOS</b>             | <ul style="list-style-type: none"> <li>■ Award 4MB SPI Flash ROM</li> </ul>   |
| ■ <b>Form Factor</b>      | <ul style="list-style-type: none"> <li>■ Mini-ITX Embedded Motherboard(170mmx170mm)</li> </ul>  |
| ■ <b>Packing</b>          | <ul style="list-style-type: none"> <li>■ Color Box Dimension : 200(W) x 200(D) x 70(H)mm</li> <li>■ 20 PCS in Cases Gross Weight : 15.4KGS</li> <li>■ 20 PCS Net Weight : 10.3KGS</li> <li>■ 20 PCS / Cases, Case size : 720(L) x 410(W) x 200(H)mm</li> </ul>  |
| ■ <b>Certificate</b>      | <ul style="list-style-type: none"> <li>■ CE, FCC, RoHS</li> </ul>   |
| ■ <b>Functional</b>       | <ul style="list-style-type: none"> <li>■ ATM, Automation, medical Equipment, Security, Networking, POS, General Application, Gaming Machine, Transportation, HTPC, Nettop</li> </ul>  |
| ■ <b>Temperature</b>      | <ul style="list-style-type: none"> <li>■ Operating within 0~60 centigrade</li> <li>■ Storage within -20-85 centigrade</li> </ul>  |

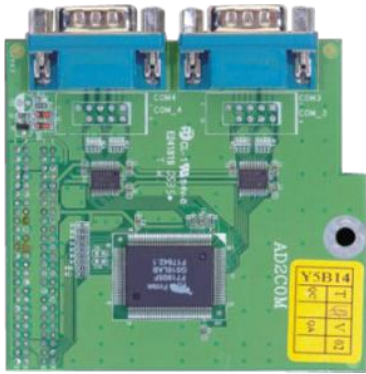
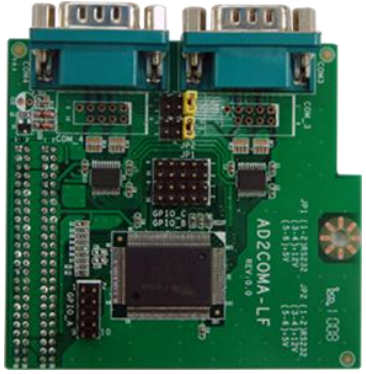
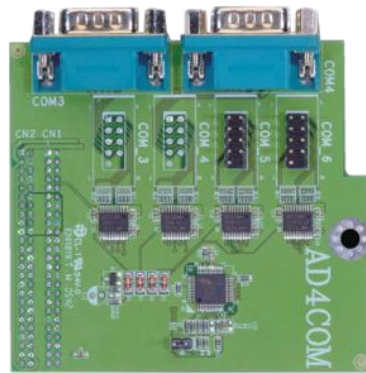
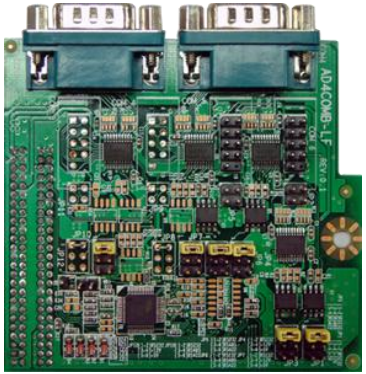
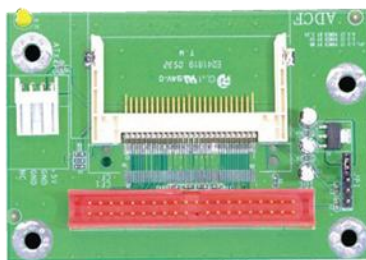
\*For further information please visit the website at <http://www.jetwaycomputer.com>


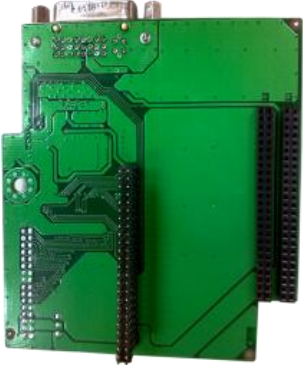
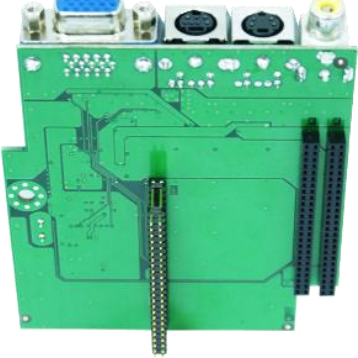
\*The Specification may be changed without further notice.

|  |  |  |  |  |   |
|--|--|--|--|--|---|
| G04-MJW121C-F  | G03-NF76-F   | G02-CD24-F   | G01-HD100-BK-F   | G01-SATA-BK-F  | F04-093-F   |
| <b>BOX</b><br> | <b>Manual</b><br> | <b>CD</b><br> | <b>IDE Cable</b><br><br>x1 | <b>SATA Cable</b><br><br>x1 | <b>IO Shield</b><br> |

### Expansion Daughter-boards (Optional)

|                             |   |                                       |
|-----------------------------|---|---------------------------------------|
| <b>JAD1RTLNG</b>            |   | <b>Specifications:</b>                |
|                             |   | 1 * Realtek RTL8110SC PCI Gigabit LAN |
|                             |   | <b>Accessories</b>                    |
| <b>IO Shield:</b> F04-094-F |   |                                       |
| <b>JAD1RTLANP</b>           |  | <b>Specifications:</b>                |
|                             |   | 1* Realtek RTL8100C PCI 10/100m LAN   |
|                             |   | <b>Accessories</b>                    |
| <b>IO Shield:</b> F04-094-F |   |                                       |
| <b>JAD3RTLNG</b>            |  | <b>Specifications:</b>                |
|                             |   | 3 * Realtek RTL8110SC PCI Gigabit LAN |
|                             |   | <b>Accessories</b>                    |
| <b>IO Shield:</b> F04-094-F |   |                                       |
| <b>JAD3RTLANP</b>           |  | <b>Specifications:</b>                |
|                             |   | 3 * Realtek RTL8100C PCI 10/100m LAN  |
|                             |   | <b>Accessories</b>                    |

|                                 |   |  |
|---------------------------------|---|--|
|                                 |   | <b>IO Shield:</b> F04-094-F  |
| <b>JAD2COM</b>                  |    | <b>Specifications:</b>   |
|                                 |   | 2 * COM port   |
|                                 |   | <b>Accessories</b>   |
|                                 |   | <b>IO Shield:</b> F04-092<br>F04-143-F for J7F5M series<br>F04-164COM-F for NC92 |
| <b>Manual:</b> G03-MINI-ITX-ADF |   |  |
| <b>JAD2COMGPIO</b>              |   | <b>Specifications:</b>   |
|                                 |   | 2 * COM port + 24 bit GPIO   |
|                                 |   | <b>Accessories</b>   |
|                                 |   | <b>IO Shield:</b> F04-092<br>F04-143-F for J7F5M series<br>F04-164COM-F for NC92 |
| <b>Manual:</b> G03-AD2COMGPIO-F |   |  |
| <b>JAD4COM</b>                  |  | <b>Specifications:</b>   |
|                                 |   | 4 * COM port   |
|                                 |   | <b>Accessories</b>   |
|                                 |   | <b>IO Shield:</b> F04-092<br>F04-143-F for J7F5M series<br>F04-164COM-F for NC92 |
| <b>Manual:</b> G03-MINI-ITX-ADF |   |  |
| <b>JAD4COMB</b>                 |  | <b>Specifications:</b>   |
|                                 |   | 4 * COM port + 2 RS422/485   |
|                                 |   | <b>Accessories</b>   |
|                                 |   | <b>IO Shield:</b> F04-092<br>F04-143-F for J7F5M series<br>F04-164COM-F for NC92 |
| <b>Manual:</b> G03-AD4COMB-F    |   |  |
| <b>JADCF</b>                    |  | <b>Specifications:</b>   |
|                                 |   | IDE to CF Socket   |
|                                 |   | <b>Accessories</b>   |
|                                 |   |  |

|                |   |   |
|----------------|---|---|
|                |   |   |
| <b>JADPCM2</b> |    | <p><b>Specifications:</b></p> <p>1 * PCMCIA + 1X CF Socket</p> <p><b>Accessories</b></p> <p><b>IO Shield:</b> F04-091<br/> F04-144-F for J7F5M series<br/> F04-164PC-F for NC92</p> <p><b>Manual:</b> G03-MINI-ITX-AD</p> |
| <b>AD8DVI</b>  |   | <p><b>Specifications:</b></p> <p>1 * DVI-D port</p> <p><b>Accessories</b></p>   |
| <b>AD8TV</b>   |  | <p><b>Specifications:</b></p> <p>1 * VGA port + 1 * HDTV port + 1 * RCA port+1* S-video port</p> <p><b>Accessories</b></p>  |