

1. AMD™ 780V Chipset and AMD™ SB700 Chipset
2. Support Socket AM2+ Phenom™ processors
3. Support HT 3.0
4. Integrated ATI Radeon HD 3100(For Microsoft DX 10)
5. Supports Dual Channel DDR2 800
6. Integrated Serial ATA2 3Gb/s with RAID function
7. Integrated ALC883 HD Audio CODEC with 8.0 CH
8. Integrated Gigabit LAN
9. CPU Vcore 7-Shift/HDMI Port
10. Ready for Windows® Vista™
11. Micro ATX Form Factor



Features and Benefits

AMD Phenom™ Quad-Core Processors with True Quad-Core Technology

Realize new possibilities for connecting with friends, family, and digital entertainment with the phenomenal performance of the AMD Phenom™ 9000 series quad-core processor. Built from the ground up for true quad-core performance, AMD Phenom™ processors speed through advanced multitasking, critical business productivity, advanced visual design and modeling, serious gaming, and visually stunning digital media and entertainment

AMD™ 780V Chipset: Backbone of the Performance Platform

The AMD 780V Chipset with ATI Radeon™ 3100 graphics is designed to be a stable and consistent platform for a modern commercial PC. Take advantage of superior stability and exceptional performance and power savings on a platform that is designed for enhanced longevity. The AMD 780V Chipset is the right choice for your business.

Hyper Transport Technology 3.0

The highly scalable Hyper Transport 3.0 is capable to provide incredible bandwidth of the system bus up to 20.8GB/s which would dramatically elevate the efficiency of computing performance.

PCI Express 2.0 Buses

The PCI Express 2.0 x16 graphics delivers up to 8 GB/s per direction, 2 times more bandwidth than PCI Express x16 and up to 16 GB/s concurrent bandwidth. PCI Express x1 I/O offers 1GB/s concurrently, over 7 times more bandwidth than AGP8X, tackling the most demanding multimedia tasks nowadays

GPU Clock Adjustable

Onboard VGA can over-clocking

PCI-Express Gigabit LAN

Delivers transfer speed ten times faster than conventional 10/ 100 Ethernet connections, supporting a high transfer rate up to Gigabit/s.

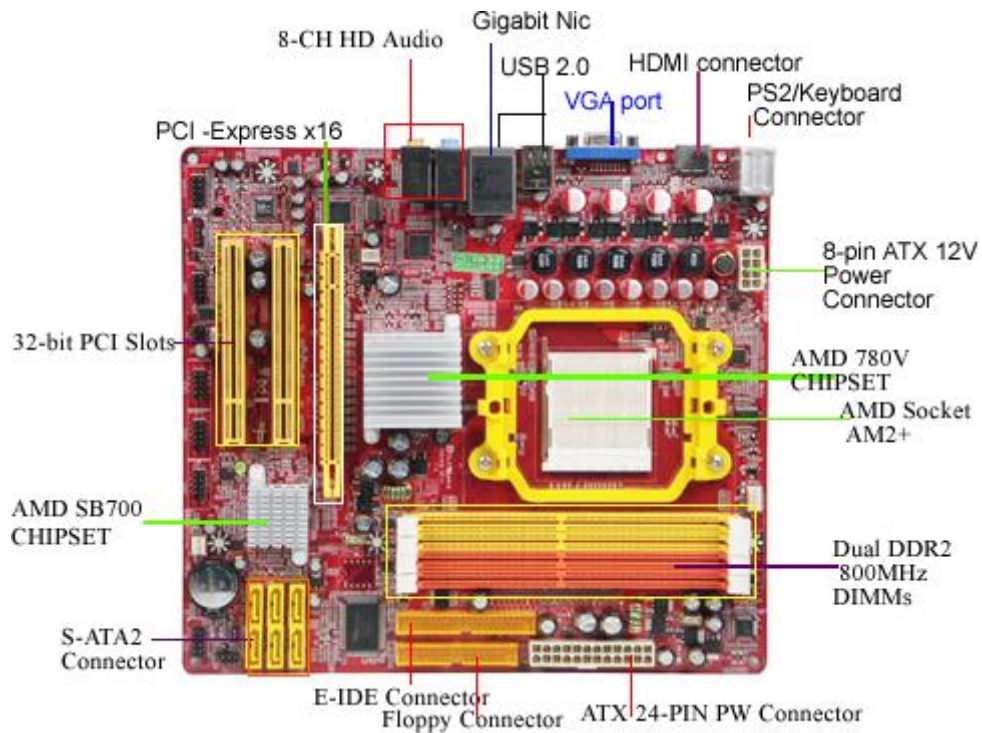
Gigabit LAN is the networking standards for the future and is ideal for handling large amount of data such as video, audio, and voice

OC-CON high-polymer solid electrolysis aluminum capacitors embedded

The working temperature is from 55 degrees Centigrade below zero to 125 degrees Centigrade, OC_CON capacitors possess superior physical characteristics that can be while reducing the working temperature between 20 degrees Centigrade each time, intact extension 10 times of effective product operation lives, at not rising degrees Centigrade of working temperatures each time a relative one, life of product decline 10% only too.

CPU Vcore 7-Shift / Shift to the scalabilities and flexibilities

The adjustable voltage for CPU Vcore can be upgraded in 31 stages for the precisely hardware dynamic over-clocking of demanding computing performance.



Mainboard Specifications

■ CPU	Supports AMD Socket AM2+/AM2: <ul style="list-style-type: none"> ■ AMD Phenom processors ■ Athlon 64 X2 / Athlon 64 FX / Athlon 64 / Sempron processors
■ Chipset	<ul style="list-style-type: none"> ■ AMD™ 780V Chipset + AMD™ SB700 Chipset
■ Hyper Transport Bus	<ul style="list-style-type: none"> ■ HT 3.0
■ Integrated Graphics Processor	<ul style="list-style-type: none"> ■ ATI Radeon HD 3100(For Microsoft DX 10)
■ Memory	<ul style="list-style-type: none"> ■ Dual Channel DDR2 memory technology ■ 4 * 240-pin DDR2 DIMM slots ■ Supports DDR2 800 non-ECC ,un-buffered memory ■ Max.8GB
■ Expansion Slots	<ul style="list-style-type: none"> ■ 2 * 32-bit PCI Slots ■ 1 * PCI Express 2.0 x16 slot @16-lane
■ Storage	AMD™ SB700 Southbridge Chipset : <ul style="list-style-type: none"> ■ 6 * Serial ATA II 3Gb/s connectors ■ Supports HDDs with RAID 0, 1,10 Functions ■ 1 * Ultra DMA 133 / 100 / 66 IDE Connector
■ Audio	<ul style="list-style-type: none"> ■ Realtek ALC883 8-Channel HD Audio CODEC
■ Ethernet LAN	<ul style="list-style-type: none"> ■ Marvell 88E8056 PCI Express Gigabit NIC
■ USB	<ul style="list-style-type: none"> ■ Embedded 10 * USB 2.0/1.1
■ Special Features	<ul style="list-style-type: none"> ■ Advanced Power Design that supports the latest Socket-AM2 + K10 CPU
■ Rear Panel I / O	<ul style="list-style-type: none"> ■ 4 * USB 2.0/1.1 ports ■ 1 * PS/2 mouse port ■ 1 * PS/2 keyboard port ■ 1 * VGA port ■ 1 * HDMI port ■ 1 * RJ-45 port ■ 1 * Audio I / O
■ Internal I / O	<ul style="list-style-type: none"> ■ 3 * USB 2.0/1.1 headers for 6 USB 2.0/1.1 ports ■ CPU / Chassis Fan connectors ■ 1 * 8-pin ATX 12V Power connector ■ 1 * 24-pin ATX Power connector ■ 1 * Serial Port of 9-pin block ■ CD / AUX Audio in ■ 1 * Ultra DMA 133 / 100 / 66 IDE connector ■ Front panel audio connector ■ 1 * Floppy connector ■ 1 * SPDIF header
■ BIOS	<ul style="list-style-type: none"> ■ Award 8MB SPI Flash ROM
■ Form Factor	<ul style="list-style-type: none"> ■ Micro ATX Form Factor