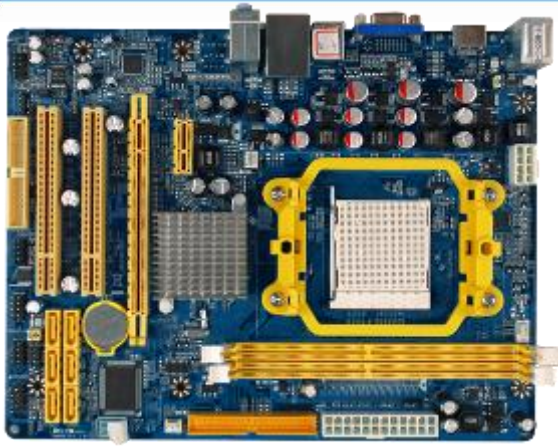


Mainboard Diagram



(IN/OUT solid capacitors)

ROHS



PN78VM2

1. NVIDIA MCP78V Chipset
2. **AM3 65W CPU ready**
3. Supports Socket AM2+ Phenom™ processors
4. Support HT 3.0
5. Integrated NVIDIA GeForce 8100 GPU(For Microsoft DX10.0)
6. Support Hybrid SLI
7. Support Dual Channel DDR2 1066/800/667
8. Integrated Serial ATA2 3Gb/s connectors with RAID function
9. Integrated Gigabit LAN
10. Integrated ALC662 HD Audio Codec with 6.0 CH
11. Support PureVideo technology
12. Support Blu-ray/Full HD DVD playback
13. CPU Vcore 7-Shift
14. Onboard HDMI port/VGA port
15. Ready for Windows® Vista™
16. Micro ATX Form Factor



Features and Benefits

AMD Phenom™ Quad-Core Processors with True Quad-Core Technology

Realize new possibilities for connecting with friends, family, and digital entertainment with the phenomenal performance of the AMD Phenom™ 9000 series quad-core processor. Built from the ground up for true quad-core performance, AMD Phenom™ processors speed through advanced multitasking, critical business productivity, advanced visual design and modeling, serious gaming, and visually stunning digital media and entertainment

NVIDIA MCP78V(GeForce8100) Chipset: Backbone of the Performance Platform

The NVIDIA GeForce 8100 motherboard GPU brings new graphics technologies to everyone. Enjoy Windows Vista and today's popular games with DirectX 10. Watch the latest Blu-ray and HD DVD titles with NVIDIA® PureVideo® HD technology. And turbo-charge your GeForce GPUs with GeForce Boost for amazing graphics performance. All at an exceptional value

Hyper Transport Technology 3.0

The highly scalable Hyper Transport 3.0 is capable to provide incredible bandwidth of the system bus up to 20.8GB/s which would dramatically elevate the efficiency of computing performance.

NVIDIA Hybrid SLI Technology

Hybrid SLI™ technology is a unique hybrid multi-GPU technology built upon NVIDIA. Hybrid SLI technology today includes two primary features: GeForce Boost and HybridPower™. GeForce Boost turbo-charges performance of NVIDIA discrete graphics cards when combined with this series motherboard GPUs HybridPower™ unleashes graphics performance when needed and enables low-power operation when performance is not needed. You can switch from the discrete GeForce GPU(s) to the motherboard GPU for a quiet, low power PC experience.

AMD New generation of 45nm AMD Socket AM3 processors

The 45nm AM3 processors that support Hyper Transport 3.0 Bus and integrate DDR2 & DDR3 memory controller, To provide advanced visual design and modeling, serious gaming, and visually stunning digital media and entertainment.

Serial ATA II 3Gb/s&RAID

This platform supports reliable storage solution for enhanced data protection and data accessing performance. Serial ATA 3Gb/s is firstly introduced in this platform to provide blazingly 3Gb/s bus bandwidth thus higher disk performance. The SATA RAID allows multi-disk designs

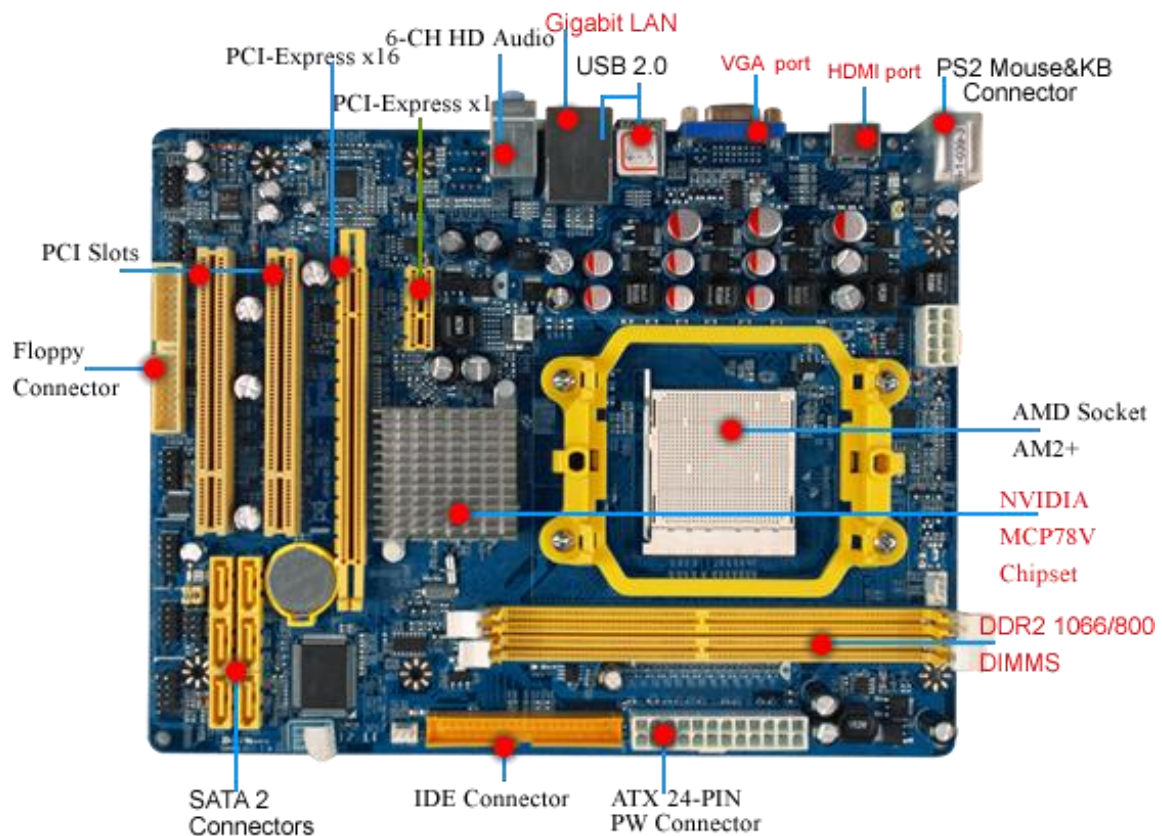
to be set up as RAID 0, 1,10 based on users' priority of protection/performance, and which even makes more accessible by introducing the innovative windows-based facility

OC-CON high-polymer solid electrolysis aluminum capacitors embedded

The working temperature is from 55 degrees Centigrade below zero to 125 degrees Centigrade, OC_CON capacitors possess superior physical characteristics that can be while reducing the working temperature between 20 degrees Centigrade each time, intact extension 10 times of effective product operation lives, at not rising degrees Centigrade of working temperatures each time a relative one, life of product decline 10% only too.

CPU Vcore 7-Shift / Shift to the scalabilities and flexibilities

The adjustable voltage for CPU Vcore can be upgraded in 7 stages for the precisely hardware dynamic over-clocking of demanding computing performance.



Mainboard Specifications

<ul style="list-style-type: none"> ■ CPU 	<p>Supports AMD Socket AM3/AM2+/AM2:</p> <ul style="list-style-type: none"> ■ AMD Phenom processors ■ Athlon 64 X2 / Athlon 64 FX / Athlon 64 / Sempron processors
<ul style="list-style-type: none"> ■ Chipset 	<ul style="list-style-type: none"> ■ NVIDIA MCP78V Chipset
<ul style="list-style-type: none"> ■ Hyper Transport 	<ul style="list-style-type: none"> ■ HT 3.0
<ul style="list-style-type: none"> ■ Memory 	<ul style="list-style-type: none"> ■ Dual Channel DDR2 memory technology ■ 2 * 240-pin DDR2 DIMM slots ■ Supports DDR2 1066/800/667 non-ECC ,un-buffered memory ■ Max.4GB
<ul style="list-style-type: none"> ■ Expansion Slots 	<ul style="list-style-type: none"> ■ 2 * PCI slots ■ 1 * PCI Express 2.0 x16 slot@16-lane ■ 1 * PCI Express x1 slot
<ul style="list-style-type: none"> ■ Storage 	<p>Embedded NVIDIA MCP78V Chipset :</p> <ul style="list-style-type: none"> ■ 6 * Serial ATA2 3Gb/s connectors ■ Supports HDDs with RAID 0,1,10,5,JBOD functions ■ 1 * Ultra DMA 133 / 100 / 66 IDE connector
<ul style="list-style-type: none"> ■ Audio 	<ul style="list-style-type: none"> ■ Realtek ALC662 6-Channel HD Audio CODEC
<ul style="list-style-type: none"> ■ Ethernet LAN 	<ul style="list-style-type: none"> ■ Realtek RTL8211C PHY Gigabit LAN
<ul style="list-style-type: none"> ■ USB 	<ul style="list-style-type: none"> ■ Embedded 8 * USB 2.0/1.1
<ul style="list-style-type: none"> ■ Special Features 	<ul style="list-style-type: none"> ■ Advanced Power Design that supports the latest Socket-AM2 + K10 CPU
<ul style="list-style-type: none"> ■ Rear Panel I / O 	<ul style="list-style-type: none"> ■ 4 * USB 2.0/1.1 ports ■ 1 * PS/2 mouse port ■ 1 * PS/2 keyboard port ■ 1 * VGA port ■ 1 * RJ-45 port ■ 1 * Audio I/O port ■ 1 * HDMI port
<ul style="list-style-type: none"> ■ Internal I / O 	<ul style="list-style-type: none"> ■ 2 * USB 2.0/1.1 headers for 4 USB 2.0/1.1 ports ■ CPU / Chassis Fan connectors ■ 1 * 8-pin ATX 12V Power connector ■ 1 * 24-pin ATX Power connector ■ 1 * Serial Port of 9-pin block ■ CD / AUX Audio in & 1 * COM header ■ 1 * Ultra DMA 133/100/66 IDE connector ■ 1 * Floppy connector ■ Front panel audio connector ■ 1 * SPDIF header ■ 1 * COM header
<ul style="list-style-type: none"> ■ BIOS 	<ul style="list-style-type: none"> ■ Award 8MB SPI Flash ROM
<ul style="list-style-type: none"> ■ Form Factor 	<ul style="list-style-type: none"> ■ Micro ATX Form Factor