

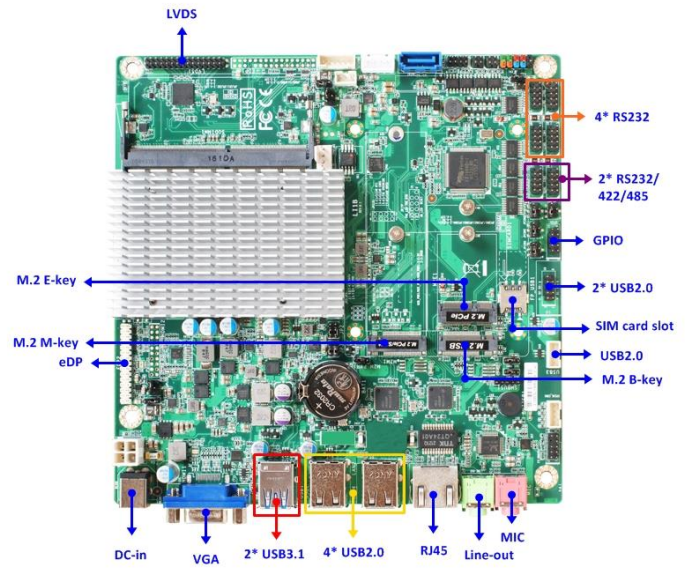
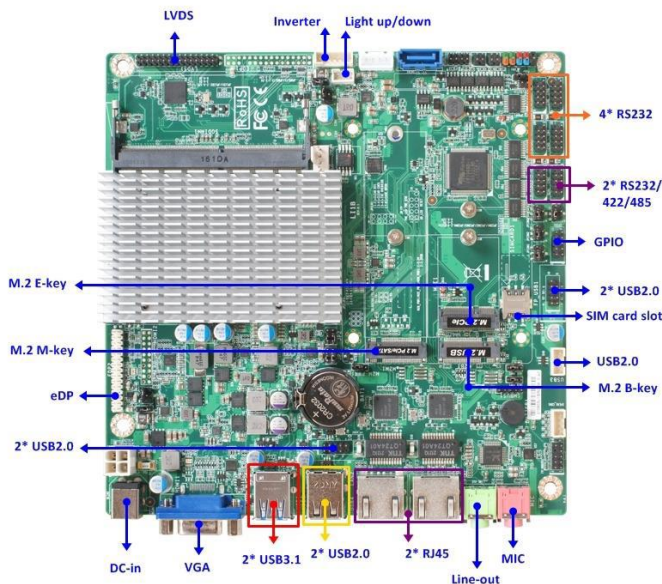
# LI1BV

## Thin Mini-ITX Industrial Networking Motherboard 1 - 2 Intel 2.5GBE LAN / 6 COM / M.2 / 12V



### Features

1. Industrial Embedded Motherboard with Planned Lifecycle Through Q1'2036
2. Intel Celeron J6412 Quad-Core, Elkhart Lake Platform
3. 1 \* DDR4-3200 slots supporting up to 32GB Total
4. 2 \* Intel 2.5GbE (on LIBV-0L), 1 \* Intel 2.5GbE (on LIBV-00)
5. Up to 3 Displays, VGA, eDP, LVDS
6. 1 \* SATA3 6Gb/s Port, M.2 SATA/PCIE 3.0 x2 NVME
7. M.2 for Cellular with SIM Card Holder, M.2 for WIFI
8. 2 \* USB 3.2 Gen2, up to 9 \* USB 2.0, 8bit GPIO, HD Audio
9. 6 \* Serial Headers, Watchdog Timer, AT/ATX Power Mode
10. 12V DC-in or 4-pin Alternate Internal Power Connector
11. Compatible with Windows 10/11 64bit, UEFI Linux
12. Thin Mini-ITX Form Factor (170mm x 170mm)



<b>Model / Series</b>	<ul style="list-style-type: none"> <li>LI1BV</li> </ul>
<b>Part No</b>	<ul style="list-style-type: none"> <li>JLI1BV-0L (2*LAN)</li> <li>JLI1BV-0L2 (2*LAN, TPM 2.0)</li> <li>JLI1BV-00 (1*LAN, SPECIAL ORDER)</li> <li>JLI1BV-002 (1*LAN, TPM 2.0, SPECIAL ORDER)</li> </ul>

	<ul style="list-style-type: none"> <li>■ JLI1BV-0LH (2*LAN, with HDMI instead of VGA)</li> </ul>
<b>Processor</b>	<ul style="list-style-type: none"> <li>■ Intel Celeron J6412 Quad-Core, Elkhart Lake Platform</li> </ul>
<b>Chipset</b>	<ul style="list-style-type: none"> <li>■ SoC</li> </ul>
<b>Video</b>	<ul style="list-style-type: none"> <li>■ Intel HD Graphics</li> </ul>
<b>Memory</b>	<ul style="list-style-type: none"> <li>■ 1 * 204-pin SO-DIMM slots supporting DDR4-3200 up to 16GB total</li> </ul>
<b>Expansion Slots</b>	<ul style="list-style-type: none"> <li>■ M.2 E-key 2230 (USB/PCIE)</li> <li>■ M.2 B-key 3042/3052 (USB) with SIM Card Holder</li> </ul>
<b>Storage</b>	<ul style="list-style-type: none"> <li>■ 1 * SATA3 6Gb/s port</li> <li>■ M.2 M-key SATA/PCIE 3.0 x2 NVME 2242/2280</li> </ul>
<b>Audio</b>	<ul style="list-style-type: none"> <li>■ HD Audio, 3W L+R Amp</li> </ul>
<b>Network</b>	<ul style="list-style-type: none"> <li>■ 2 * Intel i225-V 2.5GbE (on LI1BV-0L/0L2), 1 * Intel i225-V 2.5GbE (on LI1BV-00/002)</li> </ul>
<b>Other Features</b>	<ul style="list-style-type: none"> <li>■ Support AHCI, ACPI S3, CPU Smart FAN, Watchdog Timer 10-255 min/sec., TPM optional</li> </ul>
<b>Rear Panel I/O</b>	<ul style="list-style-type: none"> <li>■ 2 * USB 3.2 Gen2 ports</li> <li>■ 2 * USB 2.0 ports (on LI1BV-0L/0L2), 4 * USB 2.0 ports (on LI1BV-00/002)</li> <li>■ 2 * RJ-45 LAN ports (on LI1BV-0L/0L2), 1 * RJ-45 LAN port (on LI1BV-00/002)</li> <li>■ Line-out, Mic</li> <li>■ VGA port (2560 x 1600 @60Hz)</li> <li>■ *JLI1BV-0LH has HDMI port instead of VGA</li> <li>■ 12V DC-in jack</li> </ul>
<b>Internal I/O</b>	<ul style="list-style-type: none"> <li>■ 3 * USB headers for 5 * USB 2.0 ports</li> <li>■ 6 * Serial headers (4 * RS232, 2 * RS232/422/485)</li> <li>■ 8bit GPIO, SMBus, AT/ATX power switch mode</li> <li>■ 4-pin 12V Alternate internal power connector</li> </ul>
<b>BIOS</b>	<ul style="list-style-type: none"> <li>■ AMI Flash ROM</li> </ul>
<b>Box Contents</b>	<ul style="list-style-type: none"> <li>■ LI1BV Motherboard, Standard &amp; Low-profile I/O Shields</li> </ul>
<b>Certification</b>	<ul style="list-style-type: none"> <li>■ CE, FCC, RoHS, ErP/EuP, REACH</li> </ul>
<b>Temperature</b>	<ul style="list-style-type: none"> <li>■ Operating Temperature 0~60 ° C</li> <li>■ Storage Temperature -20-85 ° C</li> </ul>
<b>Form Factor</b>	<ul style="list-style-type: none"> <li>■ Thin Mini-ITX Form Factor (170mm x 170mm)</li> </ul>
<b>Warranty</b>	<ul style="list-style-type: none"> <li>■ 2 Years Limited Warranty</li> </ul>

\*Specifications subject to change without notice, not responsible for typographical errors. Overclocking not supported.



**Jetway Computer Corporation**  
**Phone: 510-857-0130 Fax: 510-857-0138**  
**8058 Central Ave., Newark, CA 94560**  
**www.jetwaycomputer.com**

