

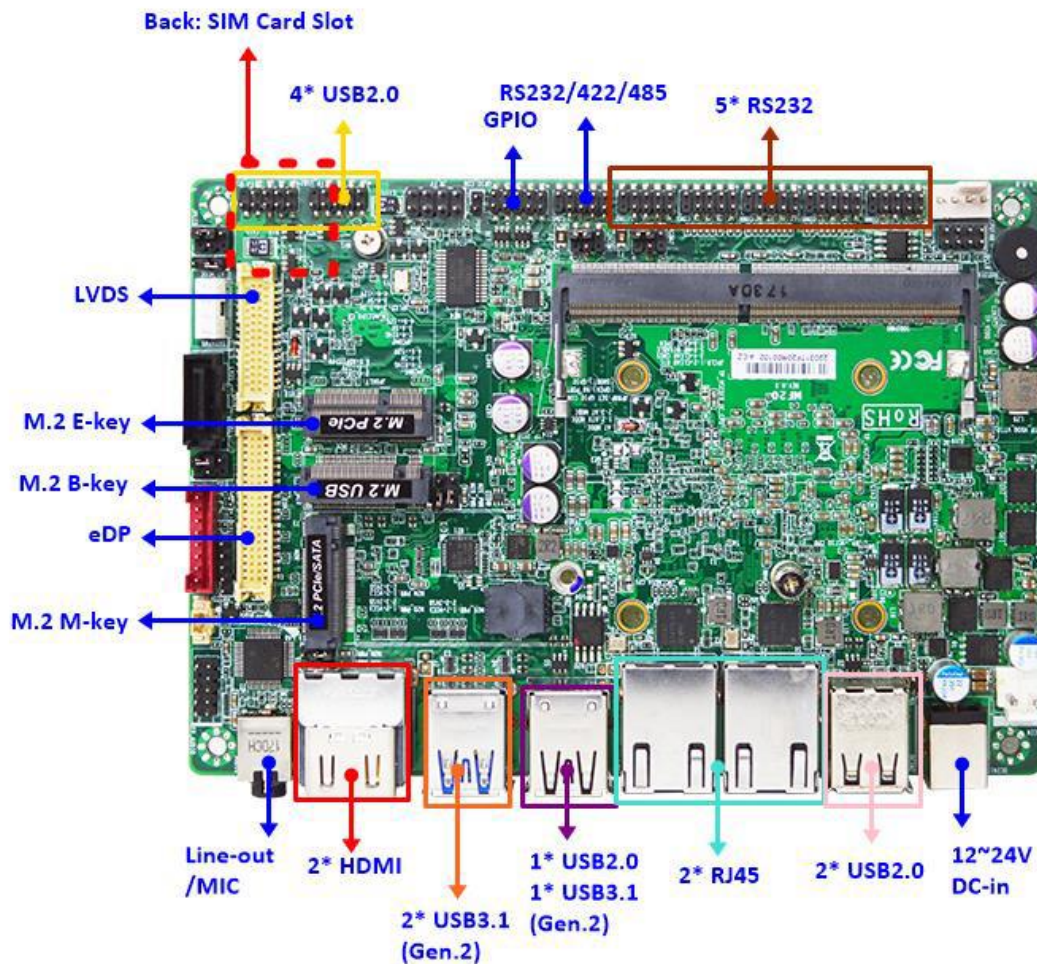
MF20

3.5" Elkhart Lake Industrial Motherboard 2*Intel 2.5GBE / 2*HDMI / 6*COM / 12-24V



Features

1. Long-Life Embedded Class Industrial Motherboard with Planned Lifecycle Through Q1'2036
2. CPU Mounted on Bottom of Motherboard for Easy Integration into Fanless Systems
3. Intel Celeron J6412 Quad-Core, SOC Processor
4. Supports DDR4-3200 SODIMM up to 32GB Total
5. 2 * Intel 2.5GbE LAN, HD Audio
6. Up to 3 Displays, 2 * HDMI 4K@60Hz, eDP/LVDS
7. 1 * SATA3, M.2 SATA/PCIE 3.0 x2 2242/2280
8. M.2 3042 with SIM Card Slot, M.2 2230 for WIFI
9. 3 * USB 3.2 Gen2, 7 * USB 2.0 Ports
10. 6 * Serial Ports, 8-bit GPIO, Watchdog Timer
11. 12V-24V DC-In Jack or 2-pin Alternate internal Connector
12. 3.5" SBC Form Factor (148mm x 102mm)



Model / Series	<ul style="list-style-type: none"> MF20
Part No	<ul style="list-style-type: none"> MF20-00, MF20-03 (32GB EMMC), MF20-07 (32GB EMMC, TPM 2.0)
Processor	<ul style="list-style-type: none"> Intel Celeron J6412 Quad-core SoC (OEM Option: Intel N6210 Dual-core) *Ships with flat aluminum heatsink for direct attach
Chipset	<ul style="list-style-type: none"> SoC
Video	<ul style="list-style-type: none"> Intel UHD Graphics, up to 3 displays
Memory	<ul style="list-style-type: none"> 1 * 260-pin SO-DIMM slot supporting DDR4-3200 up to 32GB total
Expansion Slots	<ul style="list-style-type: none"> 1 * M.2 2230 E-key (CNVI/USB/PCIE) 1 * M.2 3042 B-key with SIM card holder (USB/PCIE)
Storage	<ul style="list-style-type: none"> 1 * SATA3 6Gb/s port 1 * M.2 M-key SATA/PCIE 3.0 x2 NVME 2242/2280 Optional EMMC
Audio	<ul style="list-style-type: none"> HD Audio
Network	<ul style="list-style-type: none"> 2 * Intel i225-V 2.5GbE LAN
Other Features	<ul style="list-style-type: none"> Support ACPI S3, AHCI, CPU Smart FAN, Watchdog Timer 10-255 min/sec, Optional TPM
Rear Panel I/O	<ul style="list-style-type: none"> 3 * USB 3.2 Gen2 ports, 3 * USB 2.0 ports 2 * RJ-45 LAN ports, 2 * HDMI 2.0b 4K@60Hz 3.5mm Line-out/Mic combo jack +12V - 24V DC-in locking jack (2.5mm ID/5.5mm OD)
Front Panel I/O	<ul style="list-style-type: none"> None
Internal I/O	<ul style="list-style-type: none"> 2 * USB Header for 4 * USB 2.0 ports eDP 4K@60Hz or 24bit LVDS (choose one) 6 * Serial header (5 * RS232, 1 * RS232/422/485) SMBus, 8-bit GPIO header, AT/ATX power switch mode jumper 2-pin 12V - 24V Alternative power connector
BIOS	<ul style="list-style-type: none"> AMI Flash ROM
Box Contents	<ul style="list-style-type: none"> MF20 Motherboard
Certification	<ul style="list-style-type: none"> CE, FCC, RoHS, ErP
Temperature	<ul style="list-style-type: none"> Operating Temperature 0-60 ° C Storage Temperature -20-85 ° C
Form Factor	<ul style="list-style-type: none"> 3.5" SBC Form Factor (148mm x 102mm)
Warranty	<ul style="list-style-type: none"> 2 Years Limited Warranty

*Specifications subject to change without notice, not responsible for typographical errors.



Jetway Computer Corporation
Phone: 510-857-0130 Fax: 510-857-0138
8058 Central Ave., Newark, CA 94560
www.jetwaycomputer.com

